



Reason Technology Company.

FLOATING SEALS

Duo Cone Seals



Reason Floating Seals
For
Construction
and Mining Equipment

“A Really Good REASON”



Reason Technology Company
Phone +86 25 5278 8160
Fax: +86 25 5278 8159
www.reasonmaterials.com



Reason Technology Company.

Contents

Reason Technology Introduction	3
Reason Floating Seals	4
Reason Floating Seal Materials	5
Installation of Floating Seals	6
R319(R329)A Specifications	7
R319(R329)B Specifications	13
Machinery Replacement Spare Parts	15
Contact	18



Reason Technology Company.



Manufacturing Plant Jiangning, China

Reason Technology is a unique Chinese manufacturer which is proud of its exceptional group of employees and of its international standard of quality. We are committed to continuous improvement for excellence.

The company provides seal machining technology and Semi-finished Materials. Our products represent the highest standard of quality in our industry in China. The company strives to provide our clients with internationally competitive products through high standards of quality and management.

“A Really Good REASON”

The company’s mission for quality is “Continuous improvement for excellence” and with our industry leading manufacturing and technical capabilities, our Jiangning factories using state-of-the-art international manufacturing equipment and automated processes. We utilize proven methods in process control to ensure each product and manufacturing process is controlled under a strict standardized quality system. Through this, we provide the most advanced product quality, lead time and services in the Chinese sealing industry.

Reason Floating Seals

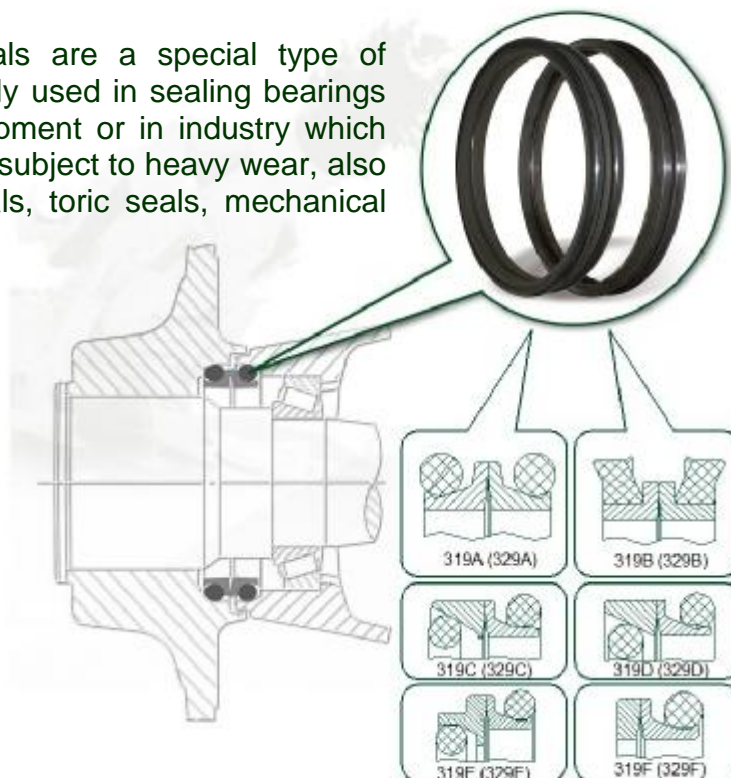
The Reason Series 319 Floating Seals are a special type of mechanical seal. They are predominantly used in sealing bearings for earth moving and construction equipment or in industry which operates with extreme conditions and is subject to heavy wear, also known as lifetime seals, duo cone seals, toric seals, mechanical face seals and heavy duty seals.

Types

The two main common types of Reason Floating Seals are:

319A Floating Seal which uses a “O” Ring as the secondary sealing element.

319B Floating Seal which uses a diamond shaped elastomer as the secondary sealing element.



Both the 319A and 319B are made with of two identical metal seal rings with lapped seal faces which seal against each other. Special designs, such as 329C and 329D as in the picture above are available upon request. All Reason Floating Seals can also be divided by the use of different materials (see page 4).

Design Principle

Floating seals consist of two metal seal rings with lapped seal faces which are mounted in two separate seal housings with the two lapped seal faces, face to face. The secondary elastomer sealing elements centre the seal in the housings.

Method of Operation

The elastomer secondary sealing element has three functions:

- Generating a uniform axial face load due to their elasticity.
- Acting as a static seal on the inner and outer diameters.
- Preventing the seal ring from turning with the shaft and transmitting torque from the rotating half through the faces to the static half.

Floating seals have a wedge shaped gap from the ID to the sealing faces allowing access to lubricate the sealing faces.

Lubrication is necessary at all times.



Reason Floating Seal Materials

All Reason Floating Seals are made from forged steel rings:

Type		Metal Sealing Ring	Secondary Sealing Element	Temperature Range
319	319A 319B 319C 319D	FM02	OJ01 (Shore 60A ± 5)	-40°C – 80°C
329	329A 329B 329C 329D	FM02	OJ02 (Shore 60A ± 5)	-20°C – 190°C

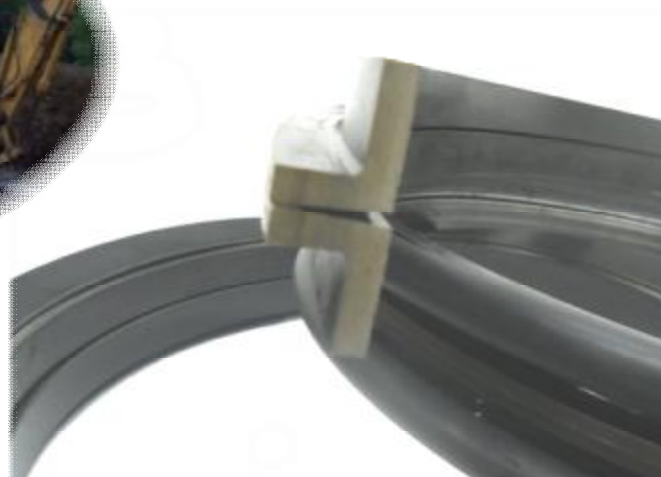
Advantages of Forging over Casting:

Forging	Casting
<ul style="list-style-type: none"> *Forged by hammering and extrusion *Plastometric set, refined grain and fibrous joint *No porosity, compact, excellent toughness and better mechanical performance * Widely used in spare parts production, such as axis, gears, etc. 	<ul style="list-style-type: none"> *Cast by pouring liquid metal into a mould cavity and cooling *Non-plastometric set, poor fibrous joint *Porosity often occurs during molding process, poor compactness and toughness *Widely used in spare parts with low mechanical performance, such as equipment shell, etc.

Forged metal is strongly suggested where high temperatures or other severe operating conditions exist.

Forged oil seals in-place of cast oil seals, is an international trend in upgrading of equipment.

All of Reason 319 (329) series floating seals are forged.



Installation of Floating Seals

Prior to Installation

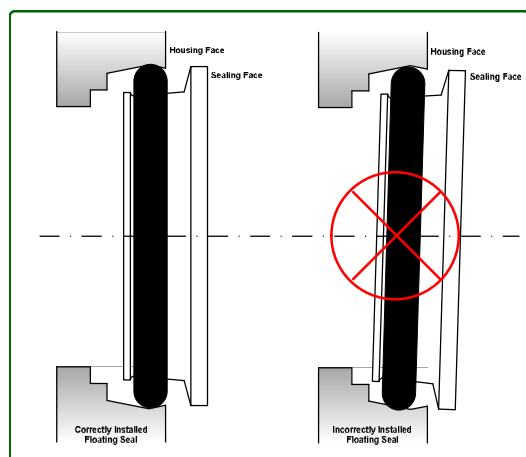
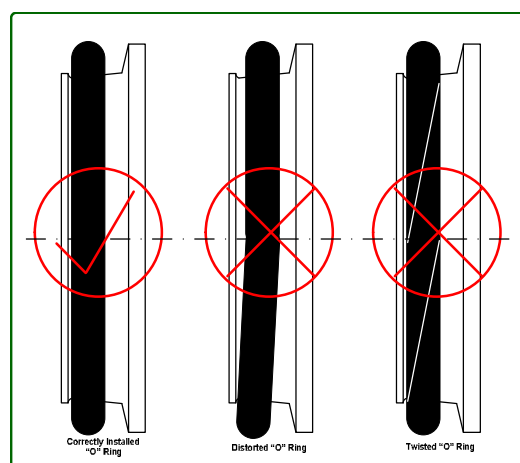
Correct installation of floating seals is critical to long service life, if at any time the housing or floating seal is disassembled a new seal needs to be installed. Failure to replace the seal may result in leakage and a lower service life.

Extreme care should be taken with floating seals; lapped seal faces must not be damaged and be treated with great care. Only remove the seals from their packaging immediately before installation and never stand the seals on the lapped sealing face.

Installation area must be kept clean and free of dust and dirt.

Step 1:

- Clean and check the seal housing is clean and free of any scratches, nicks, burrs, dust and dirt.
- Fit the O-ring to the floating making sure there is no distortion or twists.
- Coat the lapped seal faces of the floating seals with a light coating of lubricating oil with a lint free cloth.



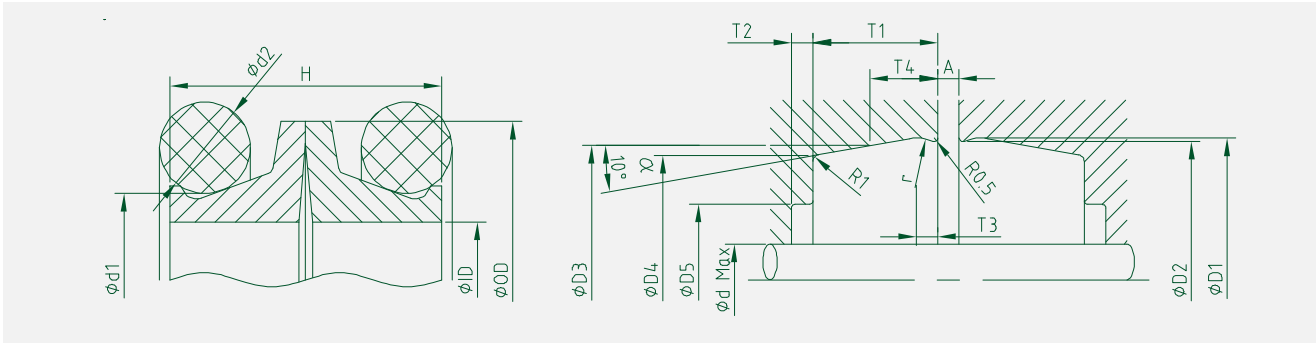
Step 2:

- Install the floating seal into the seal housing ensuring the O-ring is correctly fitted.
- When the floating seal has been successfully installed into the housing check to make sure the housing face and sealing faces are completely parallel.
- Failure to ensure the two faces are parallel may result in abnormal wear and distortion of the "O-ring shortening the service life of the seal.

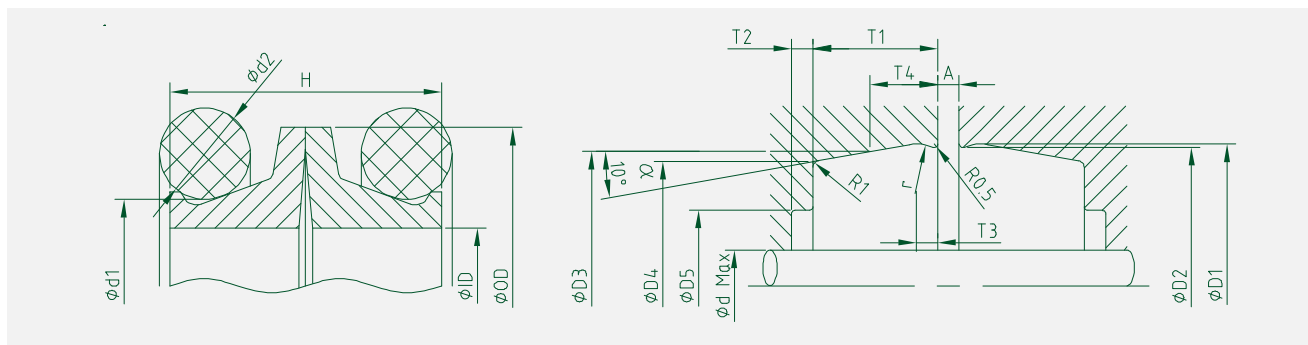
Step 3:

- After successfully installing the floating seal into both housing, ensure that all surfaces are free from dust, dirt and any foreign matter and lightly coat the sealing faces with lubricating oil.
- Reassemble the housing making sure no foreign matter gets between the sealing faces and fill with lubricating oil.

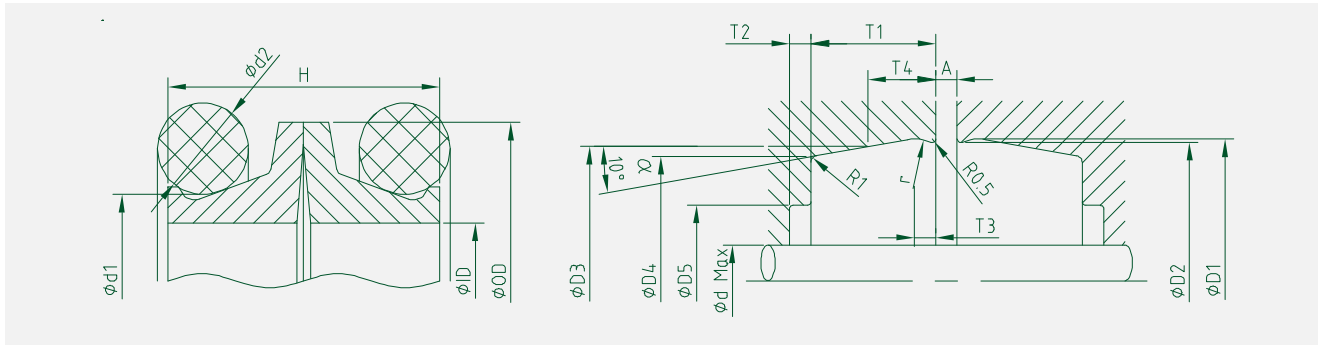




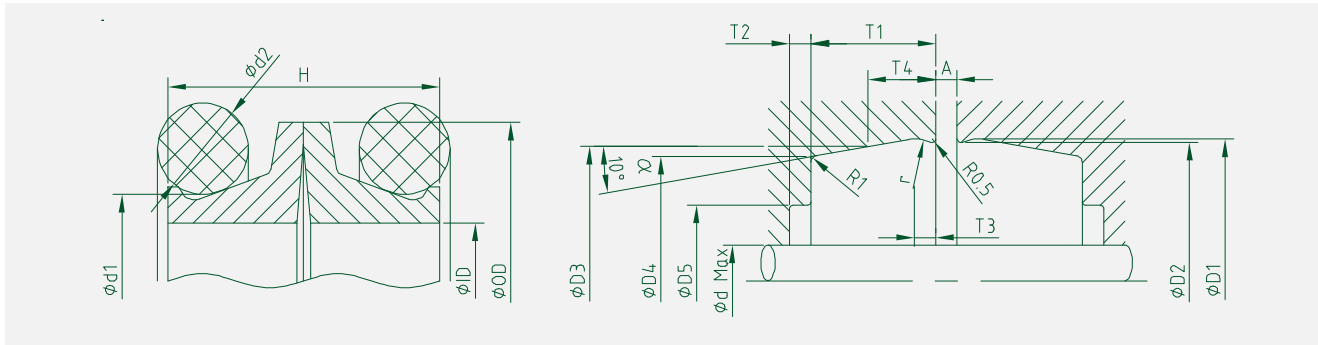
Item No.	ID	OD	H	d2	A	d Max	D1±0. 1	D2±0. 1	T1±0. 2	Alternative Size
R319-0340A1	34	45	14		1.5	30	47	46.5	6.5	38*50*21
R319-0380A1	38	51	20	6	3	35	53.7	53	9	
R319-0390A1	39	50	14		1.5	35	52	51.5	6.5	
R319-0400A1	40	52	20		3	36	55	54.2	9	
R319-0430A1	43	58	24	7	3	40	62	61.3	10.5	43*58*24
R319-0450A1	45	58	21	6.4	3	42	61.6	60.8	10	
R319-0460A1	46	59	20		3	42	61.6	61.2	9	
R319-0460A2	46	59	20	6.5	3	20	62.5	61.8	8.5	
R319-0480A1	48	58	14.4		1.5	44	59.9	59.4	6.3	48*62*26
R319-0480A2	48	62	25	7.5	3	45	68	67.2	12	51*65*27
R319-0510A1	51	65	23	6.7	3	48	68.2	67.4	10	
R319-0555A1	55.5	70	22	7.5	3	53	73.8	73.1	10	56*70*26
R319-0560A1	56	70	25	7.7	3	53	76	75.2	12	
R319-0570A1	57	77.5	35.6			54	81.4	80.7	15.2	57.5*75*26
R319-0575A1	57.5	74	25	8.7	3	54	81.2	80.4	13	
R319-0580A1	58	75	27	8.6	3	55	79.4	78.6	13.5	
R319-0580A2	58	75	27		3	53	79.2	78.6	12	60*74*21.8
R319-0600A1	60	74	20.6	6.4	3	57	78.4	77.4	9	
R319-0602A1	60.2	73	20	6.5	3	57	76.5	75.8	8.5	
R319-0610A1	61	73	27		3	58	75.8	75.4	8	61*73*16
R319-0610A2	61	73	17.6		3	58	75.8	75.5	6.5	
R319-0630A1	63	80.5	26	8	3	60	84	83.2	11.5	
R319-0635A1	63.5	82.5	31.8		3	60.5	86.5	85.7	15.2	64*78*26.4
R319-0640A1	64	78	25	8.2	3	61	84.6	83.8	12.5	
R319-0640A2	64	78	25	7.5	3	61	83.7	83	12	66*85*28
R319-0660A1	66	86	28	8.9	3	63	90	89.2	14	
R319-0670A1	67	80	20	6.5	3	64	83.4	82.7	8.5	
R319-0675A1	67.5	86.5	31.8	9.5	3	64	91	90	14.5	69*84*25
R319-0690A1	69	84	24		3	66	89.6	88.6	11	68*89*24, 72*89*24
R319-0690A2	69	89	24		3	66	92.5	91.5	11	71*90*29, 70*90*28
R319-0700A1	70	90	29	9	3	67	95.5	94.7	13.5	
R319-0710A1	71	84	20	6.5	3	68	87.4	86.7	8.5	
R319-0715A1	71.5	91	29	9	3	68	95.2	94.2	12.6	
R319-0730A1	73	92	32	9.5	3	70	96.5	95.5	14.5	71.6*92*35. 6
R319-0731A1	73.1	91.9	31.8		3	70.1	96	95.2	15.2	66*85*26



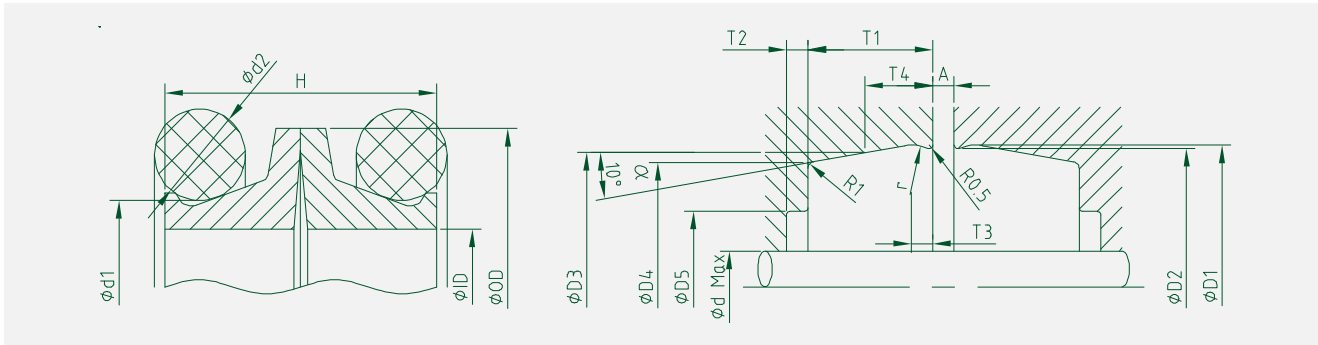
Item No.	ID	OD	H	d2	A	d Max	D1±0.1	D2±0.1	T1±0.2	Alternative Size
R319-0735A1	73.5	88.5	20.4		3	70	90.2	89.4	12.7	74*87*21
R319-0740A1	74	86.5	22.5		3	70	91.4	90.7	9.5	74*93*30, 76*94*29
R319-0750A1	75	94	29		3	73	101.4	100.6	14.5	77.5*88.5*15
R319-0775A1	77.5	87.6	13.6		1~3	75.9	90.7	90.2	7.5	
R319-0795A1	79.5	92.5	20	6.5	3	76	96	95.3	8.5	
R319-0800A1	80	100	30		3	76	104.1	103.3	15	79*100*30
R319-0800A2	80	100	29	9.5	3	77	105	104.2	14.5	82*98*26
R319-0810A1	81	98	28	8	3	78	102.3	101.3	12.5	
R319-0820A1	82	98	22		3	79	102.3	101.3	9	
R319-0825A1	82.5	102	35.6			80.5	107.3	106.5	15.2	80*100*30
R319-0830A1	83	102	28	8.5	3	80	105.5	104.5	12.5	
R319-0880A1	88	108	24	8	3	85	111.5	110.5	11	
R319-0900A1	90	105	26		3	87.4	107.3	106.7	11.5	
R319-0900A2	90	109	32		3	86	112.5	111.7	14.5	90.4*109.5*35 .6
R319-0904A1	90.4	109.4	31.8		3	87.4	113.4	112.7	15.2	91*110*33
R319-0905A1	90.5	109.5	32	9.5	3	86	114	113	14.5	92*108.8*22
R319-0920A1	92	109.5	22		3	88	113.8	113	9.5	
R319-0940A1	94	106.5	23		3	90	111.6	110.8	9.5	
R319-0950A1	95	111	24	7.7	3	92	115.6	114.8	11	95*114*30
R319-0950A2	95	114	32	9.5	3	92	120	119.2	15	
R319-0965A1	96.5	106.8	13.6		3	94.9	109.7	109.2	7.5	
R319-0990A1	99	120	28	8.5	3	96	123.5	122.5	12.5	
R319-1000A1	100	119	31.8		3	97	123	122.2	15.2	
R319-1000A2	100	120	29.4		3	97	125	124.2	14	
R319-1000A3	100	119	32	9.5	3	97	123.5	122.5	14.5	99*120*29, 97*118*31
R319-1000A4	100	119	32	9.5	3	97		123	15	
R319-1030A1	103	117	20	6.5	3	100	119.8	119	9	102*122*33.4
R319-1030A2	103	122	32		3	99	127.2	126.2	15.5	104*117*21
R319-1040A1	104	117	22		3	100	121	120.2	9.5	104*121.4*22, 104*117*21
R319-1040A2	104	122.5	22.5		3	100	125.5	125.1	9.5	
R319-1040A3	104	125	28	8.5	3	100	128.5	127.5	12.5	
R319-1070A1	107	125	24	8.5	3	103	130.4	129.4	11	
R319-1070A2	107	125	24	7.7	3	103	128.6	127.6	11	
R319-1090A1	109	132	32		3	105	136.5	135.5	15.5	109*127*32



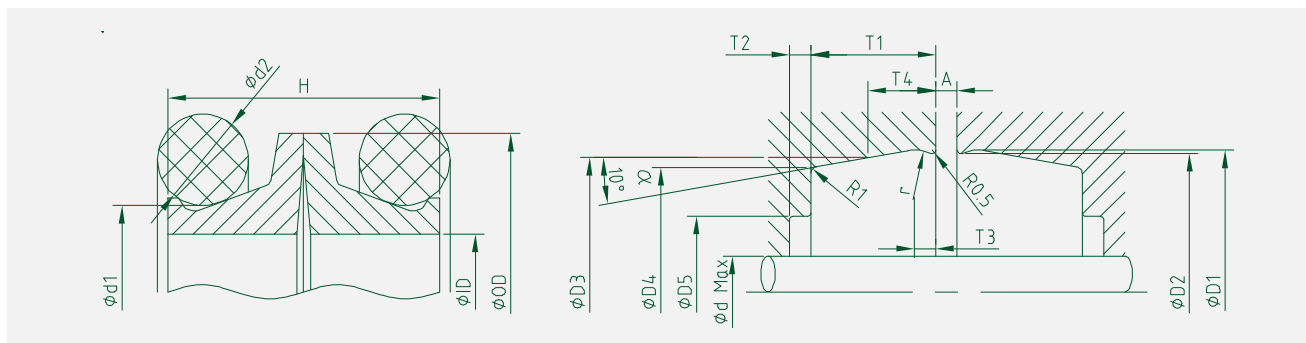
Item No.	ID	OD	H	d2	A	d Max	D1±0.1	D2±0.1	T1±0.2	Alternative Size
R319-1100A1	110	128	32	9.5	3	107	133	132	15	
R319-1110A1	111	128	22		3	107	132.5	132	10.6	
R319-1110A2	111	133	32		5	108	137	136.5	14.5	114.5*129*32, 114.5*129*21
R319-1145A1	114.5	129	23.5		3	107.5	134.1	133.1	10.4	
R319-1150A1	115	137	31	9.2	3	112	141.8	140.8	14.5	117*138*31.8, 120*138*32
R319-1150A2	115	137	32	9.5	3	113	142.5	141.5	14.5	119*140*28
R319-1170A1	117	140	29	8.7	3	114	142.5	141.5	13	
R319-1185A1	118.5	139.5	28	8.5	3	115	143	142	12.5	
R319-1200A1	120	139	32	9.5	3	116	143.8	142.8	14.5	120*142*39
R319-1200A2	120	142	38	11.3	4	117	149	148	17	116*138*32
R319-1200A3	120	139	31.8		3	116	143	142	14.3	
R319-1240A1	124	141	22	7	3	121	145.8	145	9.5	
R319-1240A2	124	141	22		3	120	146.4	145.3	10.6	
R319-1250A1	125	144	32	9.5	3	120	148.5	147.5	14.5	127*146*34
R319-1260A1	126	146	31.8		3	123	150	149.2	15.2	127*141*29
R319-1270A1	127	141	25	6	3~4	124	144	143.2	12.7	
R319-1270A2	127	146	32	9.5	3	124	150.5	149.5	14.5	
R319-1270A3	127	141	29		3	124	147	146	13	
R319-1270A4	127	141	29	8.3	3	124	148	147	13	
R319-1270A5	127	141	29	9	3	124	148.2	147.2	13.2	130*150*32, 130*151*33
R319-1300A1	130	151	32	9	3	127	155.5	154.5	15	
R319-1300A3	130	152	38.5			127	159	158	18.5	
R319-1355A1	135.5	155	28	8.3	3	132	158.3	157.3	12.5	
R319-1370A1	137	153	30	9.2	4	134	159.7	159	13	
R319-1430A1	143	157	25	6.4	3~4	140	159.7	158.9	11.5	144*157*26, 141*157*25
R319-1430A2	143	157	27	6.3	3	140	160	159	12	
R319-1430A3	143	160	27		4	138	164	163	12	
R319-1460A2	146	172	38	12.7	3~4	143	177	176	18	
R319-1460A3	146	168	38		4	143	176.8	175.9	18	
R319-1460A4	146	175	38		6	142	180.5	179.5	17.7	
R319-1463A1	146.3	171.7	38			143.3	176.8	175.9	18.4	150*167*28
R319-1470A1	147	167	28		3	144	171	170	13	148*170*34
R319-1480A1	148	170	31		4	142	175.6	174.6	15	



Item No.	ID	OD	H	d2	A	d Max	D1±0.1	D2±0.1	T1±0.2	Alternative Size
R319-1500A1	150	172	40	11.2	4	147	179	178	18	
R319-1520A1	152	171.5	32			149	175.4	174.7	15.2	
R319-1530A1	153	171.5	28	8.3	3	149	176.3	175.3	12.5	
R319-1540A1	154	168	27	6.5	3	151	171	170	12	
R319-1540A2	154	173.5	32	9.65	3	151	178	177	14.5	
R319-1540A3	154	169	22	7	3	151	174.5	173.5	9.2	
R319-1540A4	154	170	21	7	3	151	175.1	174.1	9.2	155*168*27
R319-1540A5	154	168	27	6.5	3	151	170.8	169.8	12	154*168*25
R319-1540A6	154	168	26	6.3	3~4	151	171	170.2	11.5	
R319-1550A1	155	177	40	12	4	152	185.6	184.6	20	163*188*38
R319-1630A1	163	191	38	12.7	3~4	160	196.5	195.5	18	
R319-1633A1	163.3	191.2	38		6	160.3	196.8	195.8	18.4	
R319-1633A2	163.3	191.3	46		6	160	196.8	195.9	18.4	
R319-1640A1	164	189	30	9.5	3	160	193.5	192.5	14.5	
R319-1650A1	165	181	27	7	3	162	185	184	12	
R319-1713A1	171.3	185.3	20	6	3	168	188	187.3	9	
R319-1720A1	172	194.4	31.8	9.5	3	169	198.53	197.92	14.5	174*190*25.4
R319-1725A1	172.5	190	25.4		3	168	192.7	191.8	12.7	
R319-1760A1	176	195	28	8.3	3	173	199.8	198.8	12.5	177*200*31
R319-1770A1	177	200	30	9.5	3	174	204.5	203.5	14.5	
R319-1780A1	178	199	32	9.5	3	175	203.6	202.6	14.5	177*205*38
R319-1780A2	178	200	38	13.1	4	175	210.6	209.6	19	
R319-1800A1	180	197.4	21.4		3	173	202.2	201.9	9.4	182*207*36
R319-1820A1	182	210	38	12.7	3~6	180	215.5	214.5	18	
R319-1824A1	182.4	210.3	46		6	179	215.4	214.4	18.4	
R319-1830A1	183	202	28		3	179	206	205	12.5	
R319-1860A1	186	203	25.4		3	182	205.7	204.9	14.5	
R319-1880A1	188	205	28	8.3	3	185	210.5	209.5	12.5	
R319-1910A1	191	210	28	8.5	3	187	214	213	12.5	192*215*33
R319-1920A1	192	215	34	10.5	3	189	220.8	219.8	16.5	
R319-1920A2	192	209	30	9.5	3	188	213.5	212.5	14.5	192*215*33
R319-1950A1	195	216.5	32		3	191	221	220	14.5	
R319-2000A1	200	228	38	13	3	196	233.5	232.5	18	208.7*222.8*26
R319-2020A1	202	222.3	26.5		3	197	224.9	224.1	11.8	204*225.5*32
R319-2090A1	209	234	42	13	4	206	242.6	241.6	19.5	
R319-2160A1	216	237	30	9.5	3	212	241.5	240.5	14.5	
R319-2200A1	220	239.5	32	9.5	3	217	244	243	14.5	
R319-2200A2	220	246	36	10		217	251	250	17	



Item No.	ID	OD	H	d2	A	d Max	D1±0.1	D2±0.1	T1±0.2	Alternative Size
R319-2200A3	220	241.4	25	7.7	3	217	244.7	244	11	
R319-2200A4	220	246	41	13	4	217	254.6	253.6	20.5	223*248*37 223.5*252* 38
R319-2230A1	223	251	38	12.7	3~6	220	256.5	255.5	18	
R319-2235A1	223.5	251.5	46		6	220	256.6	255.7	18.4	
R319-2250A1	225	252	38		4	220	258	257	19	
R319-2316A1	231.6	259.6	38		6	228	264.7	263.8	18.4	
R319-2380A1	238	261	32		3	231	265.5	264.5	14.5	240*268.5* 38
R319-2390A1	239	268	40	12	4	236	274.2	273.2	19	242*262.8* 40
R319-2400A1	240	262.8	38	13	3~4	237	273.5	272.5	18	
R319-2450A1	245	264.5	32		3	241	268.9	267.9	14.5	250*276*41
R319-2500A1	250	276	44		3~4	247	284.6	283.6	20.5	
R319-2500A2	250	270	30	9.5	3~4	247	274.7	273.7	14	
R319-2520A1	252	280	38	12.7	3	249	285.5	284.5	18	265*290*37
R319-2650A1	265	293	38	12.7	3~4	262	298	297	18	
R319-2650A2	265	292.8	46		6	261	297.8	297	18.4	
R319-2720A1	272	300	40	12.5		268	306	305	18.5	276.5*303* 36
R319-2750A1	275	303	38	12.7	3	271	308	307	18	
R319-2829A1	282.9	310.8	38		6	280	316.3	315.4	18.4	300*328*40 301*328*38
R319-3000A1	300	328	38	12.7	4	296	333	332	19.5	300*325*39
R319-3000A2	300	325	38	12.7	3	296	335.5	334.5	17.5	
R319-3000A3	300	325	38	12.7	3	296	336.5	335.5	17.5	318*341*38 317*346*38
R319-3180A1	318	346	38	12.7	3	315	351.5	350.5	18	
R319-3180A2	318	341	38	12.7	3	315	351.5	350.5	18	
R319-3190A1	319	346.5	46		6	315	351.6	350.7	18.4	320*346*38
R319-3200A1	320	348	40	12		316	354.5	353.5	17	340*370*40 340*368*38
R319-3400A1	340	368	40		3	337	374.8	373.8	19	
R319-3400A2	340	370	40	12	3	337	375.1	374	19	
R319-3500A1	350	375	38	12.7	3	345	385.5	384.5	17.5	
R319-3500A2	350	375	38		3	345	385	384.5	17.5	

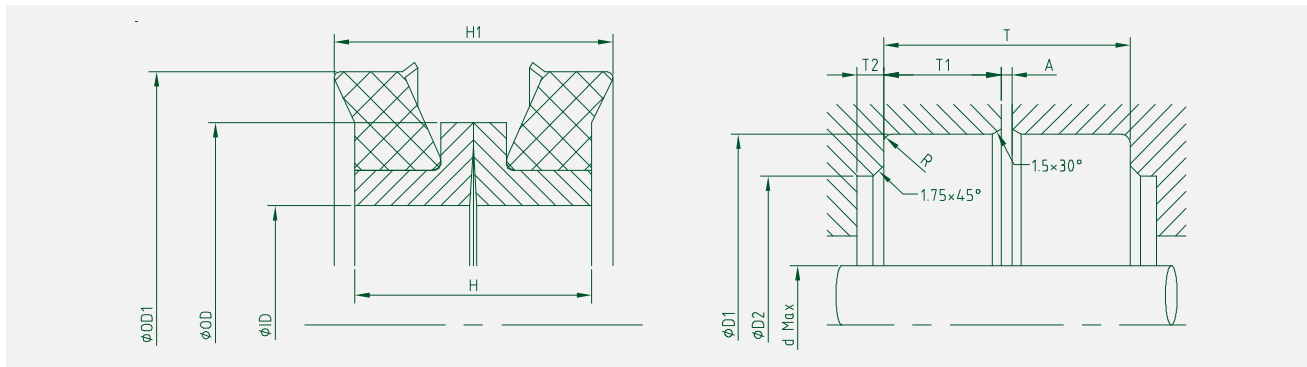


Item No.	ID	OD	H	d2	A	d Max	D1±0.1	D2±0.1	T1±0.2	Alternative Size
R319-3560A1	356	381	38	12.7	4	353	389.5	388.5	18.5	366*391*37 366*394*40
R319-3660A1	366	394	38	12.7	3~6	363	399.5	398.6	17.5	
R319-3665A1	366.5	394.5	48		6	363.5	399.5	398.6	18.4	
R319-3700A1	370	398	38	12.7	3	366	403.5	402.6	17.5	
R319-3805A1	380.5	405	40		4	375	412.2	410.5	17	388*415*38
R319-3870A1	387	415	38	12.7	3	384	420.3	419.4	17.5	
R319-3870A2	387	415	38		3	384	419.5	418.5	18	
R319-3880A1	388	416.2	38	12.7	3	385	421.6	420.7	17.5	
R319-4290A1	429	457	38	12.7	3~6	426	462.3	461.3	17.5	
R319-4300A1	430	459.2	38	12.7	3	427	464.5	463.5	17.5	
R319-4500A1	450	480	50	16	3	445	492.2	490.2	23.5	
R319-4650A1	465	498	44	12.7	3	461	503.1	500.9	21.2	
R319-4660A1	466	495	44	12.7	3	462	500.7	498.5	21.2	
R319-4700A1	470	500	50	16	3	465	512.2	510.2	23.5	505.4*533. 4*44
R319-5050A1	505	534	44	12.7	6	495	538.4	537.4	19.7	
R319-5050A2	505	535.8	43.6	12.7	3	495	541.8	539.7	19.7	
R319-5300A1	530	560	50	16	3	524	572.2	570.2	23.5	
R319-5380A1	538	567	44	12.7	6	533	572.2	571.2	19.7	
R319-5600A1	560	590	50	16	3	555	602.2	600.2	23.5	575*608*44
R319-5800A1	580	608	44	12.7	3~6	575	613	612	19.7	575*608*44

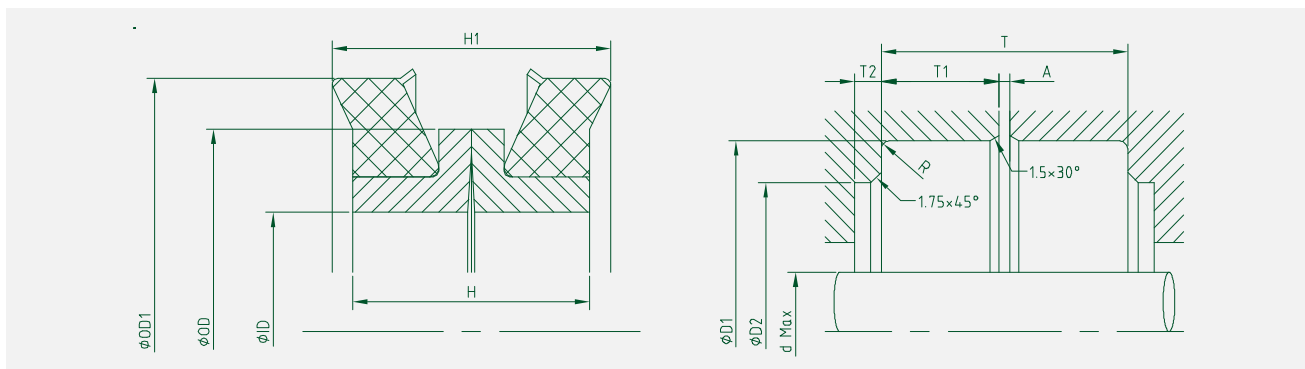
Notes: 1, "A" is the recommended value, users can adjust according to actual use;
2, For other specifications, and larger sizes, please contact Reason.

I To order Reason 319A (329A): please provide Item No. + OD + ID+ Thickness + Qty.

Reason 319B (329B) Floating Seals



Item No.	ID	OD	H	d Max	D1		T		T1
R319-0420B1	42	59	20	38	65	±0.06	23	±0.61	10
R319-0470B1	47	62	20	43	70.1	±0.06	24.74	±0.61	11.51
R319-0505B1	50.5	65	19	46	76.25	±0.06	22.66	±0.79	10.57
R319-0540B1	54	73	22	50	80	±0.06	26	±0.61	11.5
R319-0585B1	58.5	73	19	54	82.55	±0.06	22.86	±0.84	10.62
R319-0586B1	58.6	80	19.6	57	84	±0.06	21	±0.61	9
R319-0600B1	60	80	24	58	85	±0.06	28	±0.61	10.5
R319-0635B1	63.5	81	19	59.5	87.8	±0.06	21	±0.61	9
R319-0760B1	76	90	17	72	95	±0.06	19	±0.61	8
R319-0670B1	67	87	25	64	95	±0.06	29	±0.61	12.5
R319-0670B2	67	86.2	20	64	95.56	±0.06	23.04	±0.84	10.72
R319-0735B1	73.5	93	20	70	102.4	±0.06	23.32	±0.89	10.82
R319-0770B1	77	97	25	74	105	±0.06	29	±0.61	12.5
R319-0817B1	81.7	101.5	20	70	110.2	±0.06	23	±0.61	10
R319-0875B1	87.5	109	17.5	83	113	±0.06	20	±0.61	8.5
R319-0825B1	82.5	100	22	78	114.3	±0.06	25.81	±0.89	12.06
R319-0875B2	87.5	111.5	19	85	115.8	±0.06	23	±0.61	10
R319-0990B1	99	120	17.5	95	124	±0.06	20	±0.61	8.5
R319-0940B1	94	112.5	24	90	125.8	±0.06	27.84	±1.09	12.98
R319-0990B1	99	123	19	95	127.3	±0.06	23	±0.61	10
R319-1040B1	104	126	24	100	134.9	±0.08	28	±0.61	13.3
R319-1040B2	104	124	26	100	141.3	±0.08	32.18	±1.27	15.09
R319-1140B1	114	133.2	26	110	147.9	±0.08	28	±0.61	12
R319-1140B2	114	138	26	110	148	±0.08	28	±0.61	12
R319-1150B1	115	141	28	110	152.4	±0.08	33.53	±1.02	15.88
R319-1240B1	124	144	32	119	162.6	±0.08	38.74	±1.27	18.34
R319-1330B1	133	156	28	128	171.5	±0.08	32.51	±1.02	15.37
R319-1425B1	142.5	161	24	140	173	±0.08	27.7	±0.61	11.1



Item No.	ID	OD	H	D Max	D1	T	T1
R319-1430B1	143	165	30	137	177.6	±0.08	33.27
R319-1485B1	148.5	168	32.4	143	184.1	±0.08	38
R319-1500B1	150	178	33	143	184.2	±0.04	34.7
R319-1480B1	148	172	29	144	184.5	±0.08	34.7
R319-1580B1	158	180	18	153	190	±0.08	22
R319-1500B3	150	175	30	145	190	±0.08	35
R319-1540B1	154	180	36	149	194.1	±0.08	38.35
R319-1770B1	177	197	22	171	204.8	±0.13	22.86
R319-1690B1	169	195	33	164	206.3	±0.08	32.13
R319-1777B1	177.7	207	29	173	219	±0.10	34.92
R319-1940B1	194	222	34	189	238.8	±0.10	42.06
R319-1980B1	198	224	35	195	245	±0.10	40
R319-2135B1	213.5	238	27.4	209	254	±0.10	32
R319-2010B1	201	238	36	198	254	±0.10	44.45
R319-2140B1	214	244	40	209	255.6	±0.10	39.62
R319-2385B1	238.5	256	22	236	269.9	±0.08	22.86
R319-2357B1	235.7	265	30	230	273.1	±0.10	33.77
R319-2260B1	226	246	40	220	277.1	±0.13	48.87
R319-2415B1	241.5	273.5	36	236	279.4	±0.13	36.5
R319-2330B1	233	259	35	225	280	±0.13	40
R319-2410B1	241	273	38	236	295.3	±0.13	44.55
R319-2470B1	247	270	41	243	301.2	±0.13	49.5
R319-2750B1	275	303	36	270	309.4	±0.13	37
R319-2830B1	283	305	42	276	329.4	±0.13	39.12
R319-3010B1	301	331	30	295	336.6	±0.13	32.77
R319-3200B1	320	352	40	315	365.1	±0.13	42.06
R319-3550B1	355	392	40	349	401.8	±0.13	47.62
R319-3785B1	378.25	414	42	375	424.1	±0.13	47.62
R319-4420B1	442	470	41	435	488.7	±0.15	38.89
R319-4920B1	492	530	43	485	546.1	±0.15	41.66
R319-5350B1	535	580	44	530	600	±0.15	52
R319-6170B1	617	670	52	610	682.6	±0.15	53.98

Note: For other specifications, and larger sizes, please contact Reason.

! To order Reason 319B (329B): please provide Item No. + OD + ID+ Thickness + Qty.

Reason Floating Seals Construction Machinery Replacement Spare Parts Tables

Table 1

Komatsu	Type	Reason Replacement Part Track Rollers	Reason Replacement Part Carrier Rollers	Reason Replacement Part Idler	Reason Replacement Part Final Drive
Bulldozers	D20	R319-KO1A1120		-	-
	D30	R319-KO1A1121	R319-KO1A3121	-	R319-KO1A4121
	D50	R319-KO1A1125	R319-KO1A3125	R319-KO1A2130	R319-KO1A4125
	D60	R319-KO1A1126	R319-KO1A3126	-	R319-KO1A4126
	D60P	R319-KO1A1127	-	R319-KO1A2131	R319-KO1A4127
	D80	R319-KO1A1130	R319-KO1A2131	R319-KO1A2132	R319-KO1A4130
	D85	R319-KO1A1131	R319-KO1A3131	R319-KO1A2237	R319-KO1A4131
	D155	R319-KO1A1132	R319-KO1A3132	R319-KO1A2238	R319-KO1A4132
Excavators	PC60-1	R319-KO1A1237	R319-KO1A3237	R319-KO1A2239	-
	PC60-2	R319-KO1A1238	R319-KO1A3238	R319-KO1A2241	-
	PC60-3	R319-KO1A1239	R319-KO1A3239	R319-KO1A2242	-
	PC60-5	R319-KO1A1241	R319-KO1A3241	R319-KO1A2248	-
	PC60-6	R319-KO1A1242	R319-KO1A3242	R319-KO1A2250	-
	PC80-1	R319-KO1A1248	R319-KO1A3248	R319-KO1A2251	-
	PC100-1	R319-KO1A1250	R319-KO1A3250	R319-KO1A2252	-
	PC100-2	R319-KO1A1251	R319-KO1A3251	R319-KO1A2253	-
	PC100-3	R319-KO1A1252	R319-KO1A3252	R319-KO1A2256	-
	PC100-5	R319-KO1A1253	R319-KO1A3253	R319-KO1A2257	-
	PC120-1	R319-KO1A1256	R319-KO1A3256	R319-KO1A2258	-
	PC120-2	R319-KO1A1257	R319-KO1A3257	R319-KO1A2259	-
	PC120-3	R319-KO1A1258	R319-KO1A3258	R319-KO1A2265	-
	PC120-5	R319-KO1A1259	R319-KO1A3259	R319-KO1A2266	-
	PC150-1	R319-KO1A1265	R319-KO1A3265	R319-KO1A2270	-
	PC150-3	R319-KO1A1266	R319-KO1A3266	R319-KO1A2271	-
	PC200-1	R319-KO1A1270	R319-KO1A3270	R319-KO1A2272	R319-KO1A4270
	PC200-2	R319-KO1A1271	R319-KO1A3271	R319-KO1A2273	R319-KO1A4271
	PC200-3	R319-KO1A1272	R319-KO1A3272	R319-KO1A2274	R319-KO1A4272
	PC200-3 S/N20000~	R319-KO1A1273	R319-KO1A3273	R319-KO1A2275	R319-KO1A4273
	PC200-3 S/N27913~	R319-KO1A1274	R319-KO1A3274	R319-KO1A2276	R319-KO1A4274
	PC200-3 S/N33763~	R319-KO1A1275	R319-KO1A3275	R319-KO1A2277	R319-KO1A4275
	PC200-5	R319-KO1A1276	R319-KO1A3276	R319-KO1A2285	R319-KO1A4276
	PC200-6	R319-KO1A1277	R319-KO1A3277	R319-KO1A2286	R319-KO1A4277
	PC220-2	R319-KO1A1285	R319-KO1A3285	R319-KO1A2287	R319-KO1A4286
	PC220-3 S/N20000~	R319-KO1A1286	R319-KO1A3286	R319-KO1A2288	R319-KO1A4287
	PC220-3 S/N23738~	R319-KO1A1287	R319-KO1A3287	R319-KO1A2289	R319-KO1A4288
PC220-5	R319-KO1A1288	R319-KO1A3288	R319-KO1A2299	R319-KO1A4289	
PC200-6	R319-KO1A1289	R319-KO1A3289	R319-KO1A2300	R319-KO1A4299	

Komatsu	Type	Reason Replacement Part Track Rollers	Reason Replacement Part Carrier Rollers	Reason Replacement Part Idler	Reason Replacement Part Final Drive
Excavators	PC300-1	R319-KO1A1299	R319-KO1A3299	R319-KO1A2301	R319-KO1A4300
	PC300-2	R319-KO1A1300	R319-KO1A3300	R319-KO1A2302	R319-KO1A4303
	PC300-3	R319-KO1A1301	R319-KO1A3301	R319-KO1A2303	-
	PC300-5	R319-KO1A1302	R319-KO1A3302	R319-KO1A2309	-
	PC300-6	R319-KO1A1303	R319-KO1A3303	R319-KO1A2310	-
	PC400-1	R319-KO1A1309	R319-KO1A3309	R319-KO1A2311	-
	PC400-3	R319-KO1A1310	R319-KO1A3310	R319-KO1A2322	-
	PC400-5	R319-KO1A1311	R319-KO1A3311	-	-
	PC400-6	R319-KO1A1312	-	-	-
	PC650-1	-	-	R319-KO1A2323	-
	PC650-3	-	-	R319-KO1A2324	-
	PC650-5	-	-	R319-KO1A2336	R319-KO1A4324
	PC1000-1	-	R319-KO1A3336	-	-

Table 2

Caterpillar	Type	Reason Replacement Part Track Rollers	Reason Replacement Part Carrier Rollers	Reason Replacement Part Idler	Reason Replacement Part Final Drive
Bulldozers	D6D	-	R319-CA1A2123	R319-CA1A3123	-
	D6H	-	R319-CA1A2124	R319-CA1A3124	R319-CA1A4123
	D7G	R319-CA1A1130	R319-CA1A2130	R319-CA1A3220	R319-CA1A4124
Excavators	205	-	-	-	R319-CA1A4130
	205B	-	-	R319-CA1A3221	R319-CA1A4220
	205LC	-	-	R319-CA1A3222	R319-CA1A4221
	211	-	-	R319-CA1A3223	R319-CA1A4222
	211B	-	-	R319-CA1A3224	R319-CA1A4223
	211LC	-	-	R319-CA1A3225	R319-CA1A4224
	213	-	-	R319-CA1A3226	R319-CA1A4225
	213B	-	-	R319-CA1A3227	R319-CA1A4226
	213LC	-	-	R319-CA1A3228	R319-CA1A4227
	215	R319-CA1A1229	R319-CA1A2229	R319-CA1A3229	R319-CA1A4228
	215LC	R319-CA1A1230	R319-CA1A2230	R319-CA1A3230	R319-CA1A4229
	215B	-	R319-CA1A2231	R319-CA1A3231	R319-CA1A4230
	215B-LC	-	R319-CA1A2232	R319-CA1A3232	R319-CA1A4231
	215C	-	R319-CA1A2233	R319-CA1A3233	R319-CA1A4232
	215D	-	R319-CA1A2234	R319-CA1A3234	R319-CA1A4233
	215B-SA	-	R319-CA1A2235	R319-CA1A3235	R319-CA1A4234
	225B	-	R319-CA1A2236	R319-CA1A3236	R319-CA1A4235
	225B-LC	-	R319-CA1A2237	R319-CA1A3237	R319-CA1A4236
	218	-	R319-CA1A2238	R319-CA1A3238	-
	219D	-	R319-CA1A2239	R319-CA1A3239	-
219LC	-	R319-CA1A2240	R319-CA1A3240	-	
225D	-	R319-CA1A2241	R319-CA1A3241	-	
225LC	-	R319-CA1A2242	R319-CA1A3242	-	
225SA	-	R319-CA1A2243	R319-CA1A3243	R319-CA1A4237	
227	-	R319-CA1A2244	R319-CA1A3244	R319-CA1A4243	

Caterpillar	Type	Reason Replacement Part Track Rollers	Reason Replacement Part Carrier Rollers	Reason Replacement Part Idler	Reason Replacement Part Final Drive
Excavators	229	-	R319-CA1A2245	R319-CA1A3245	R319-CA1A4244
	229D	-	R319-CA1A2246	R319-CA1A3246	R319-CA1A4245
	229D-LC	-	R319-CA1A2247	R319-CA1A3247	R319-CA1A4246
	231D-LC	-	R319-CA1A2248	R319-CA1A3248	R319-CA1A4247
	235	-	R319-CA1A2249	R319-CA1A3249	R319-CA1A4248
	235-L	-	R319-CA1A2250	R319-CA1A3250	R319-CA1A4249
	245	R319-CA1A1251	R319-CA1A2251	R319-CA1A3251	R319-CA1A4250
	E200	R319-CA1A1252	R319-CA1A2252	R319-CA1A3252	R319-CA1A4252
	E200B	R319-CA1A1253	R319-CA1A2253	R319-CA1A3253	R319-CA1A4253
	EL200B	R319-CA1A1254	R319-CA1A2254	R319-CA1A3254	R319-CA1A4254
	320	R319-CA1A1255	R319-CA1A2255	R319-CA1A3255	R319-CA1A4255
	E320	R319-CA1A1256	R319-CA1A2256	R319-CA1A3256	R319-CA1A4256
E320B	R319-CA1A1257	R319-CA1A2257	R319-CA1A3257	R319-CA1A4257	

Table 3

Hitachi	Type	Reason Replacement Part Track Roller	Reason Replacement Part Carrier Rollers	Reason Replacement Part Idler	Reason Replacement Part Final Drive
Excavators	EX200	R319-HI1A1220	R319-HI1A2220	R319-HI1A3220	R319-HI1A4220
	EX200-1	R319-HI1A1221	R319-HI1A2221	R319-HI1A3221	R319-HI1A4221
	EX200-2	R319-HI1A1222	R319-HI1A2222	R319-HI1A3222	R319-HI1A4222
	EX200-5	R319-HI1A1223	R319-HI1A2223	R319-HI1A3223	R319-HI1A4223
	EX200LC	R319-HI1A1224	R319-HI1A2224	R319-HI1A3224	R319-HI1A4224
	220	R319-HI1A1225	R319-HI1A2225	R319-HI1A3225	R319-HI1A4225
	220LC	R319-HI1A1226	R319-HI1A2226	R319-HI1A3226	R319-HI1A4226
	EX220LC	R319-HI1A1227	R319-HI1A2227	R319-HI1A3227	R319-HI1A4227
	EX300	R319-HI1A1228	R319-HI1A2228	R319-HI1A3228	-
	EX300LC	R319-HI1A1229	R319-HI1A2229	R319-HI1A3229	-
	UH 07-3	R319-HI1A1231	R319-HI1A2230	R319-HI1A3230	-
	UH 07-5 (UH081)	-	R319-HI1A2231	-	-
UH 07-7 (UH083)	R319-HI1A1232	R319-HI1A2232	-	-	



Reason Technology Company.

Reason Technology Company

81 Suyuan Ave.,
Jiangning Development Zone
Nanjing 211100
China

Phone: +86 25 5278 8160

Fax: +86 25 5278 8159

www.reasonmaterials.com



“A Really Good REASON”